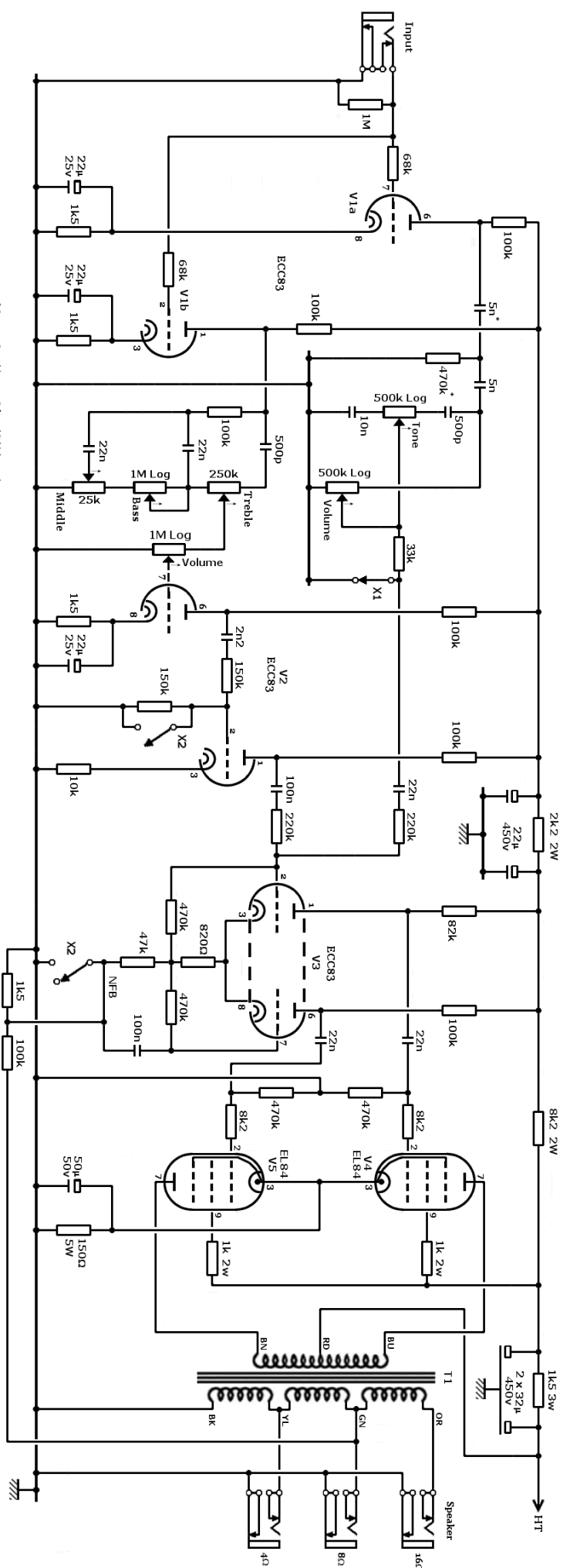
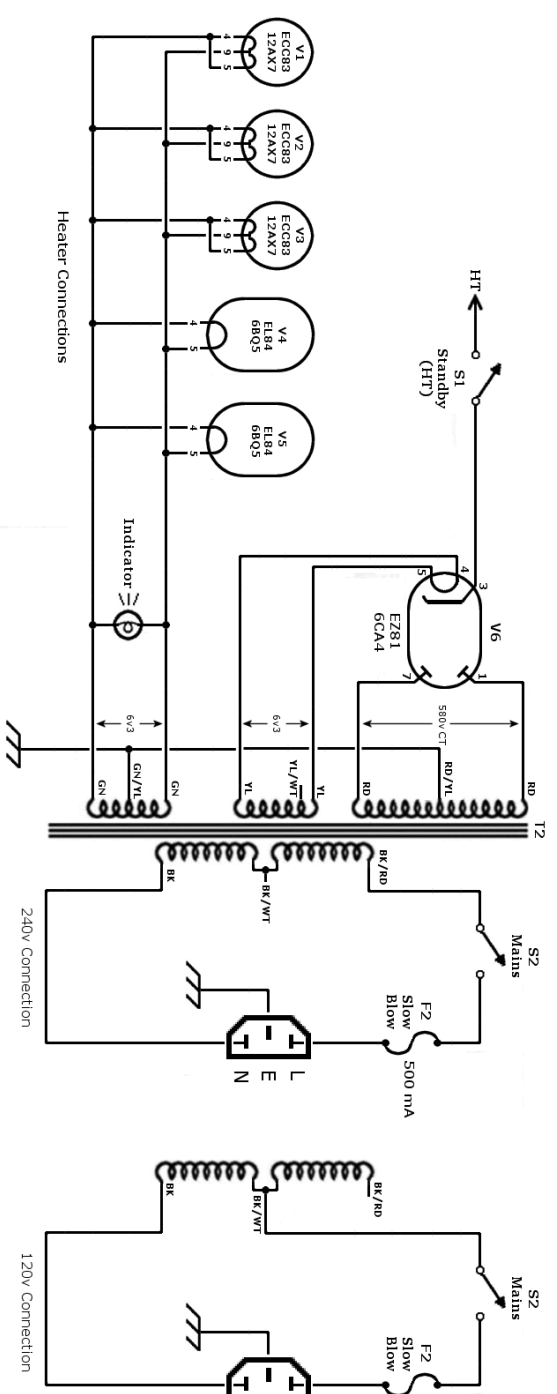


# 18watt Trex "S"

Original Design: Richie Hall  
Drawing and Switch mods: Mark Huss



\* Remove R and Jumper C for a bit higher gain.  
X1 = closed for Trex channel  
X2 = closed for Normal channel  
(Trex channel active as shown)



Heater Connections