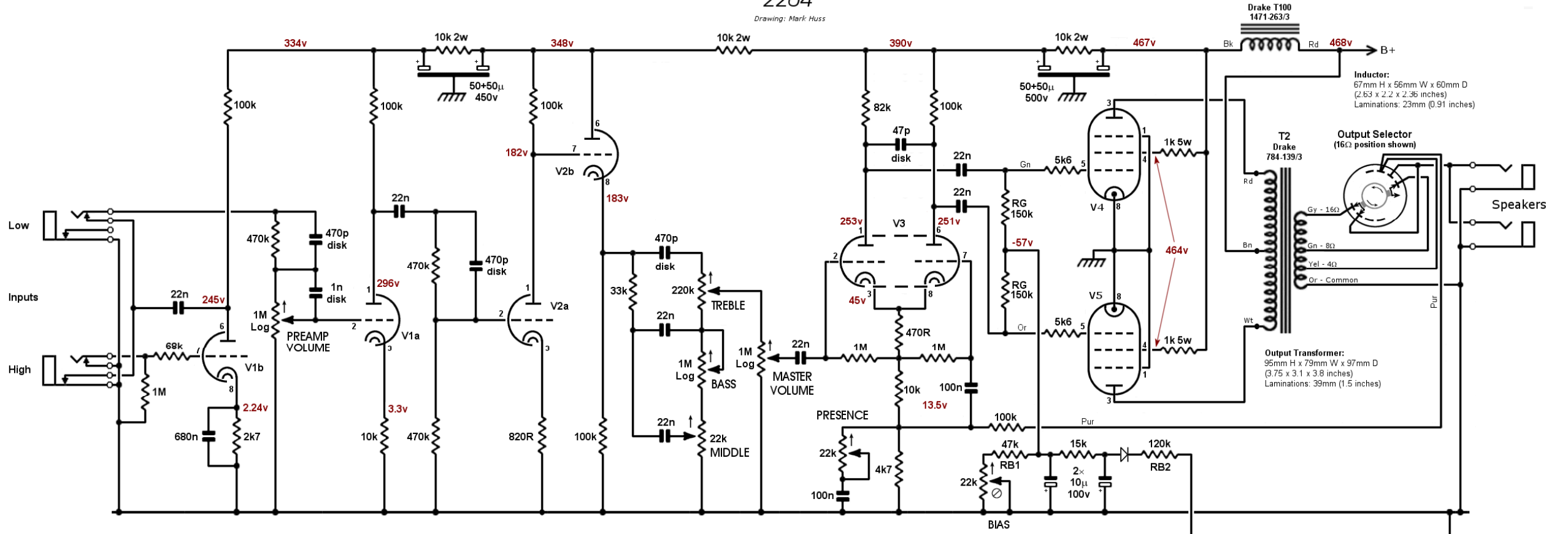


JCM 800 LEAD SERIES

2204

Drawing: Mark Huss



Inductor:
67mm H x 56mm W x 60mm D
(2.63 x 2.2 x 2.36 inches)
Laminations: 23mm (0.91 inches)

T2
Drake
784-139/3

Output Transformer:
95mm H x 79mm W x 97mm D
(3.75 x 3.1 x 3.8 inches)
Laminations: 39mm (1.5 inches)

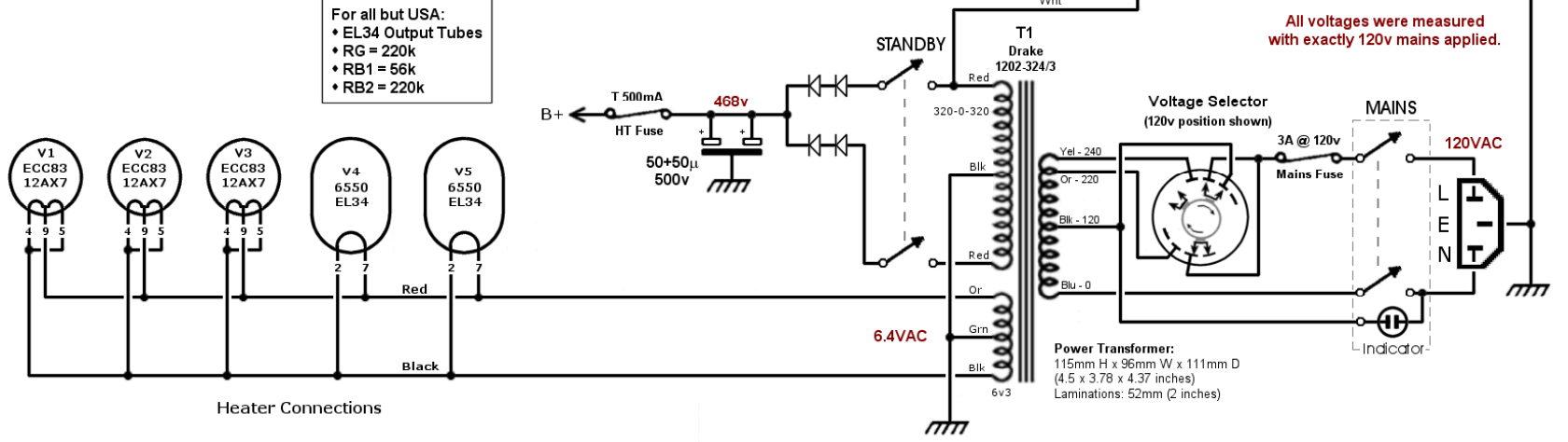
UNLESS OTHERWISE INDICATED:
• All Resistors 1/2w Carbon Film
• All Capacitors 400v Polyester
• All Diodes 1N4007

For all but USA:
• EL34 Output Tubes
• RG = 220k
• RB1 = 56k
• RB2 = 220k

All voltages were measured
with exactly 120v mains applied.

*Master Model 50w
Mk 2. Lead.*

Manufactured May, 1983



Heater Connections

Power Transformer:
115mm H x 96mm W x 111mm D
(4.5 x 3.78 x 4.37 inches)
Laminations: 52mm (2 inches)