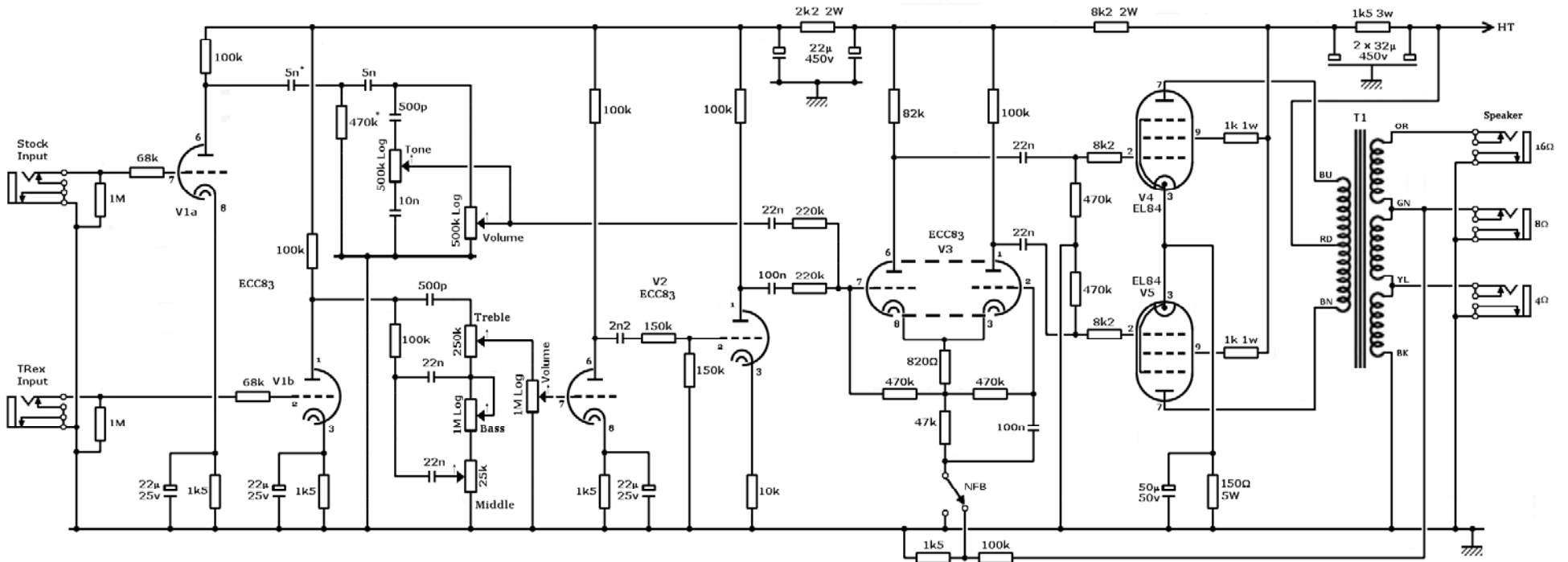


# 18watt TRex

Design: Richie  
Drawing: Mark



\* Remove R and jumper C for a bit higher gain.

