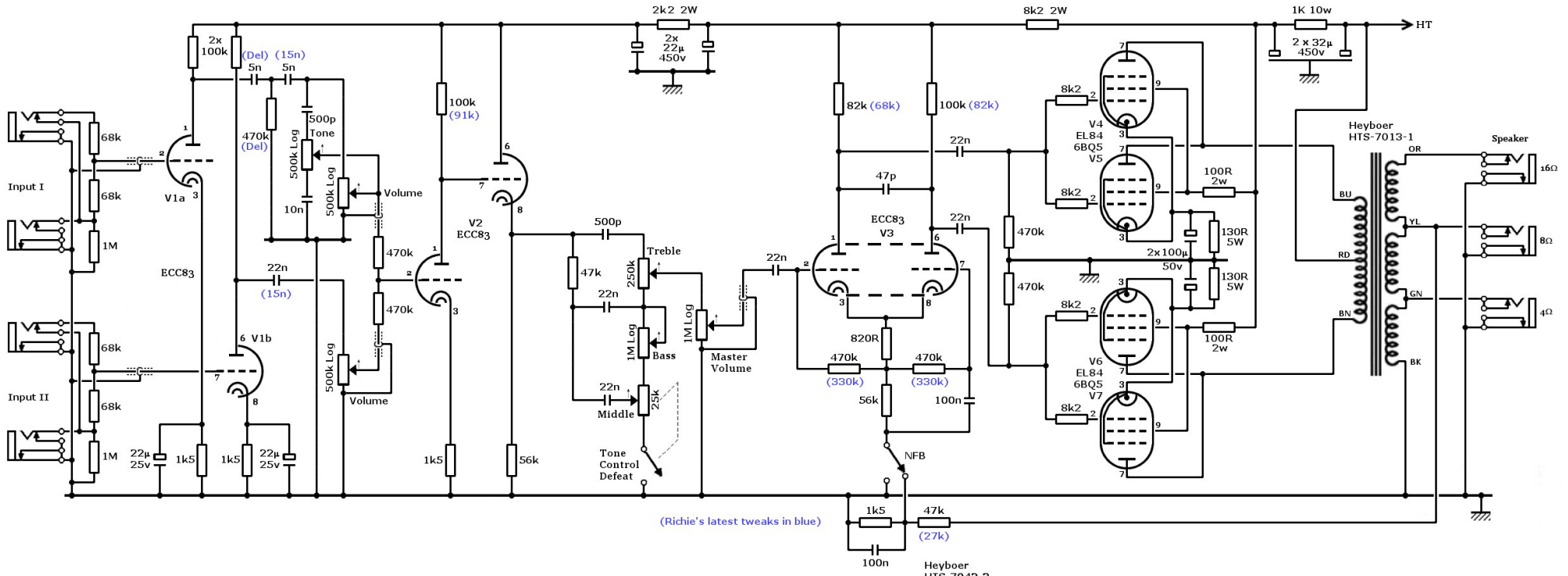


36watt TMB

Design: Richie
Drawing: Mark



(Richie's latest tweaks in blue)

